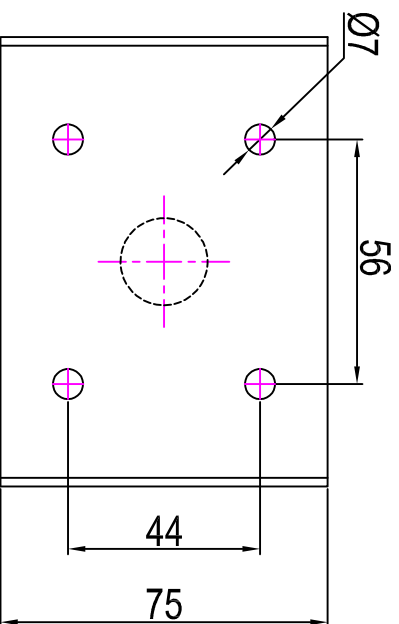
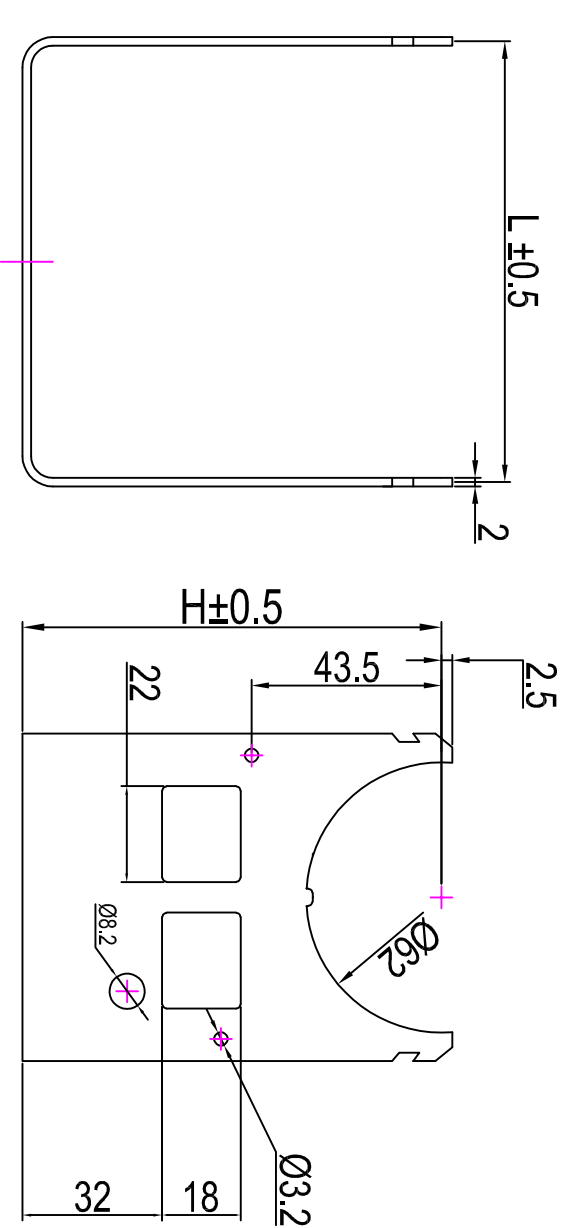


BASI ELASTICHE PER MOTORI FANCOIL (CRADLES FOR FANCOIL MOTORS)



VENTOLE (FAN BLADE)			VARIANTE	
$\varnothing 133$	$\varnothing 146$	$\varnothing 160$	(Variant)	L
H base=89	H base=96	H base=110	//	(mm)
			00	96
			01	111
			02	106
			03	91
			04	86
			05	132
			06	101
			07	120.5
			08	106
09	140			
26.0.089.//	26.0.096.//	26.0.110.//	10	145